

# S P A C E C O D E

# RFID LED Tags



Spacecode 59.35 GIA LED Tag is made of the proprietary 'Pick to Light' technology developed by Spacecode that transformed the way the industry manages inventory.

The RFID chip in the Spacecode tag has an LED that lights up when the UID is selected by software. The specified request locates the object quickly, allowing the user to obtain it without having to perform a manual search. This speeds up the search and retrieval process while reducing the need for sorting.



**100% READING ACCURACY**  
Precise controlled read range



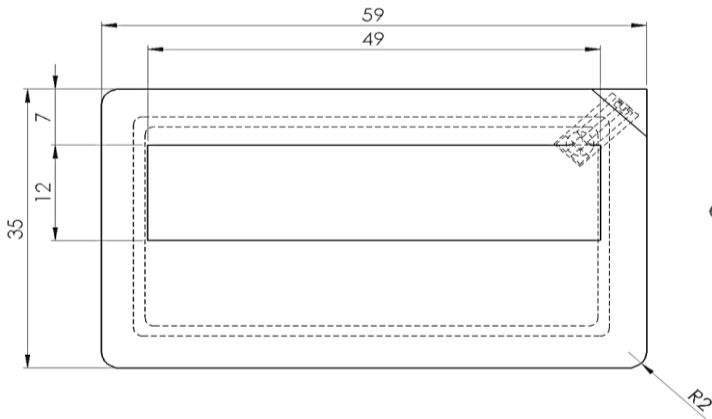
**LED 'PICK TO LIGHT'**  
Identifies Items Instantly



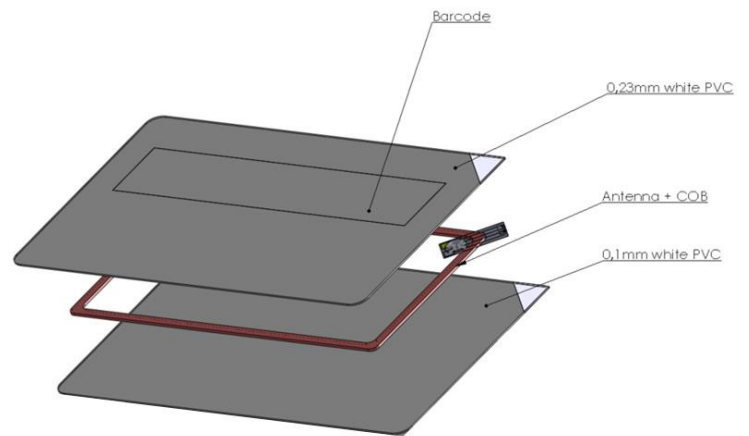
**LONG-LIFE PASSIVE DESIGN**  
Reliable passive tag performance



## TECHNICAL DRAWING



## ASSEMBLY DRAWING



## FEATURES

### DIMENSIONS

Inlay size: 59 x 35 mm +/- 0.1 [mm]  
Thickness: 1 +/- 0.1 [mm]

### RFID OPERATION

Carrier frequency: 125 kHz  
Technology: Passive RFID  
Reader compatibility: SPACECODE readers  
Chip type: SPC E2  
Technology: "Pick to Light" with LED

### ENVIRONMENTAL

Operating temperature: 0 to +60°C  
Heat resistance: 70°C 168 h  
Cold resistance: -20°C 168 h  
ESD: +/- 2Kv

### MATERIAL

Antenna: Coil wound copper  
Inlay casing: PVC  
Barcode: Printed EAN 128

### DELIVERY FORM

Amount: 3000 Tags per box  
Box labeling: Box number, order number, label amount  
Part Number: 59.35/G/L/S/A/W/SC2